

Varnasan

CONTROL VALVE TECHNOLOGIES

FLOW INDICATOR Carbon Steel, Threaded

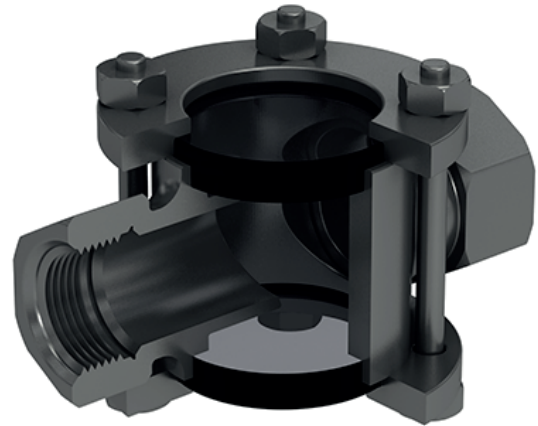
Carbon Steel PN16 PN40
 V-MFI-03-04D V-MFI-03-07D

Design

Size : Varnasan
 Connection : BSP(DIN 259), NPT(ASME B 1.20.1)

Technical Features

Working Pressure : PN16, PN40 ops.
 Working Temperature : -30°C / +180°C
 Usage : Special imported glass will be used for high temperature.



Certificate

CE0408, TS EN 10204 3.1, ISO 9001:2015, SIL3

Application

Hot water, cold water, compressed air, fuel oil, ceramic etc.

NO	PART NAME	CARBON STEEL
1	BODY	CARBON STEEL
2	CAP	CARBON STEEL
3	GLASS	TEMPERLED SECURITY GLASS
4	SEALING	PTFE
5	STUDS	STEEL

TYPE	SIZE					
	DN	L	d	Dü	Dd	Db
FLOW INDICATOR, THREADED	1/2"	100	15	18,63	20,96	15
	3/4"	125	20	24,16	26,44	16
	1"	135	25	30,29	33,25	20
	1 1/4"	165	32	38,95	41,91	22
	1 1/2"	185	40	44,85	47,81	22
	2"	220	50	56,66	59,62	26

